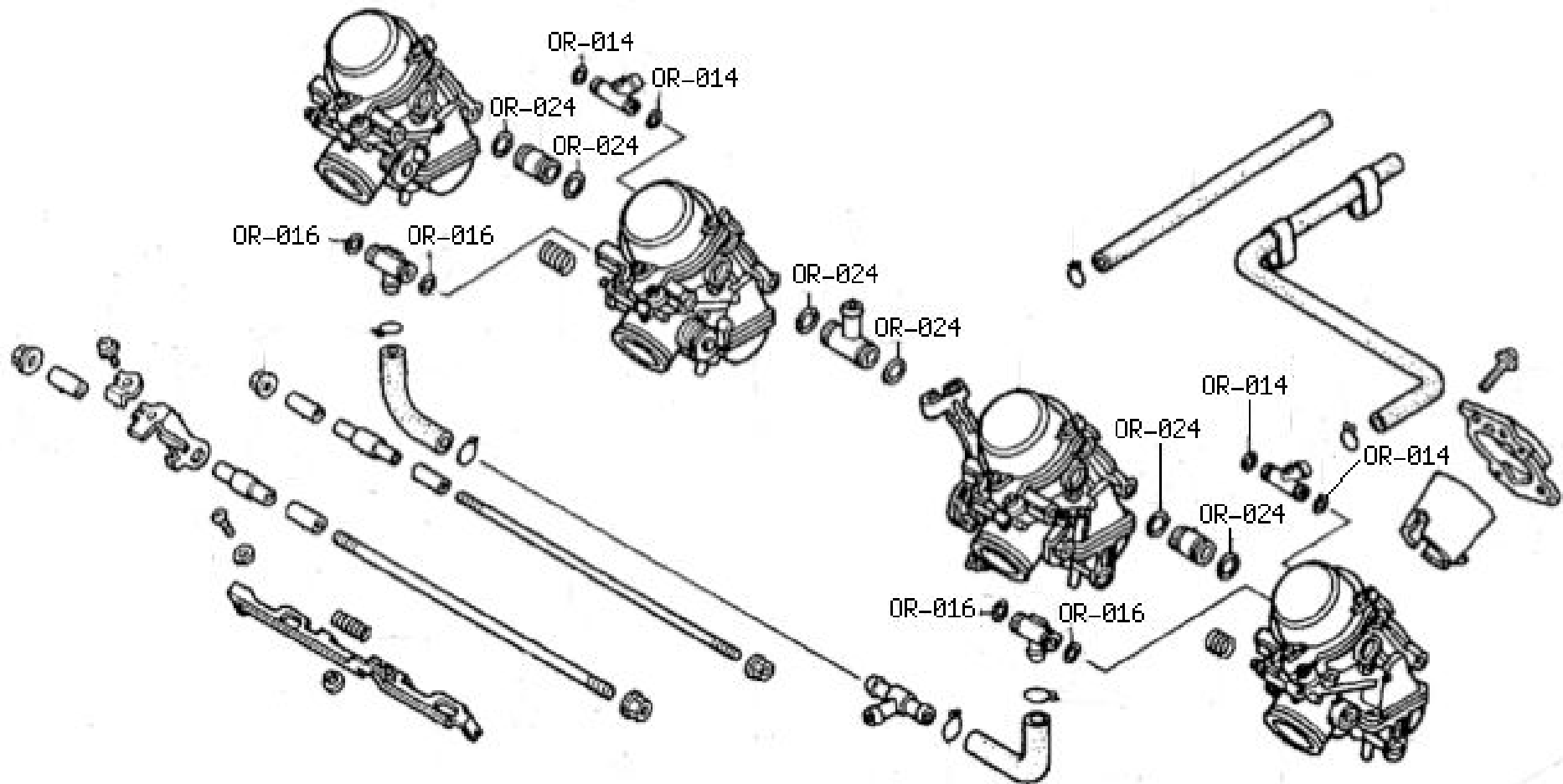
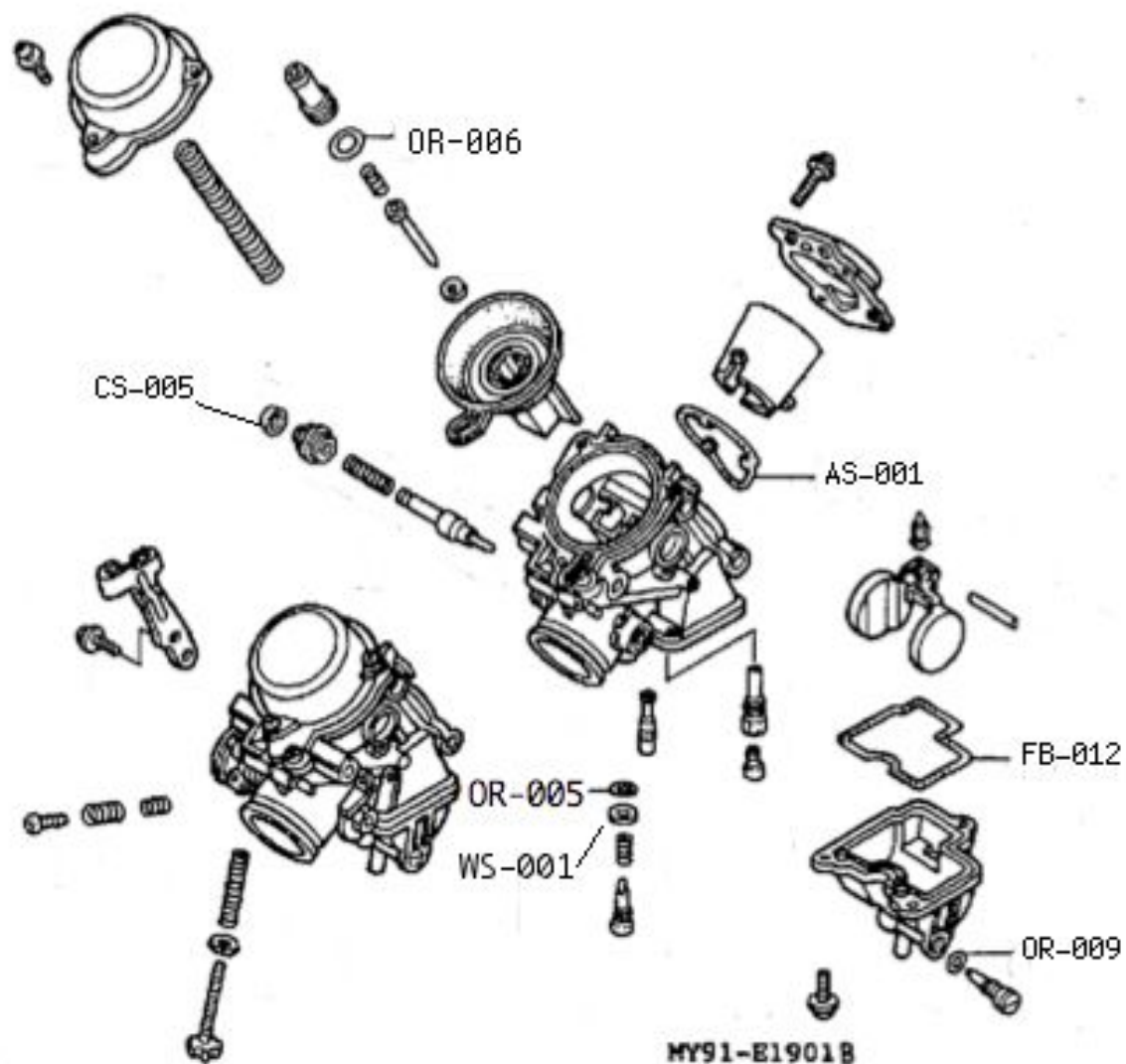
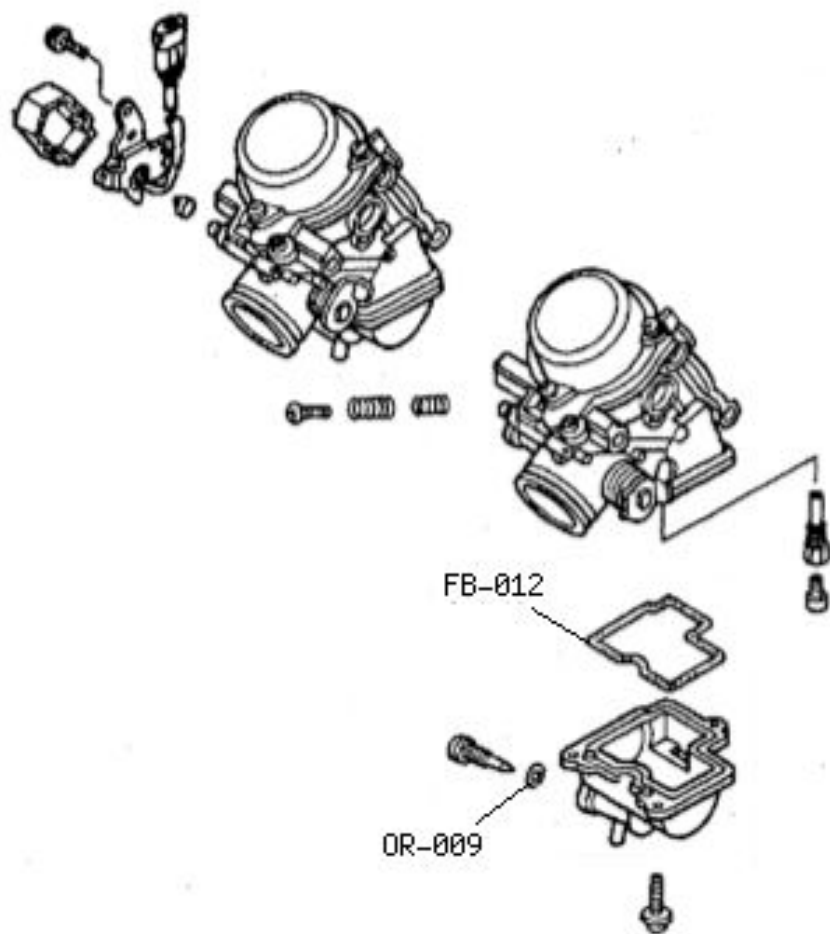


Prior to fitting, lubricate seals and o-rings with just enough silicone (grease or spray) to give a glossy finish.



FR.

MY91-E1900 B



MY91-E1901B

←FR.